

Cyphertag® Readers



The RFID reader is the brain of the intelligent RFID system, identifying our high-performance, durable RFID tags using low-frequency radio signals. Our products are suitable for numerous applications, including a replacement for card swipe readers, cashless vending applications, hazardous areas, and more.



Features

- ✓ Hands free reading range (>3.0m dependent upon loop aerial size)
- ✓ Full reader diagnostics using RVR1-KB
- ✓ Completely configurable by on-site engineers
- ✓ Secure digital data exchange
- ✓ Direction sensing capability
- ✓ High fidelity reading (1:100 million error rate)
- ✓ Multiple aerial capabilities (Max 4-4) 4 Aerials, 4 Outputs
- ✓ Tag battery low indicator

RVR1(X-X) | Lite Long-range Loop Controller

Using state of the art digital technology the RVR1 provides fast, long range, multiple reading, with direction sensing capabilities. The system has been designed to provide maximum flexibility and control for security OEMs and system integrators and is designed to provide a fast and reliable reading of tags presented on mass.

The RVR1(x-x) can monitor a maximum of 4 individual aerials with a maximum of 4 reporting outputs. Reports can be automatically generated for tags with a low battery.



UK MANUFACTURER

Identec Ltd 5 Mercantile Rd
Houghton le Spring DH4 5PH

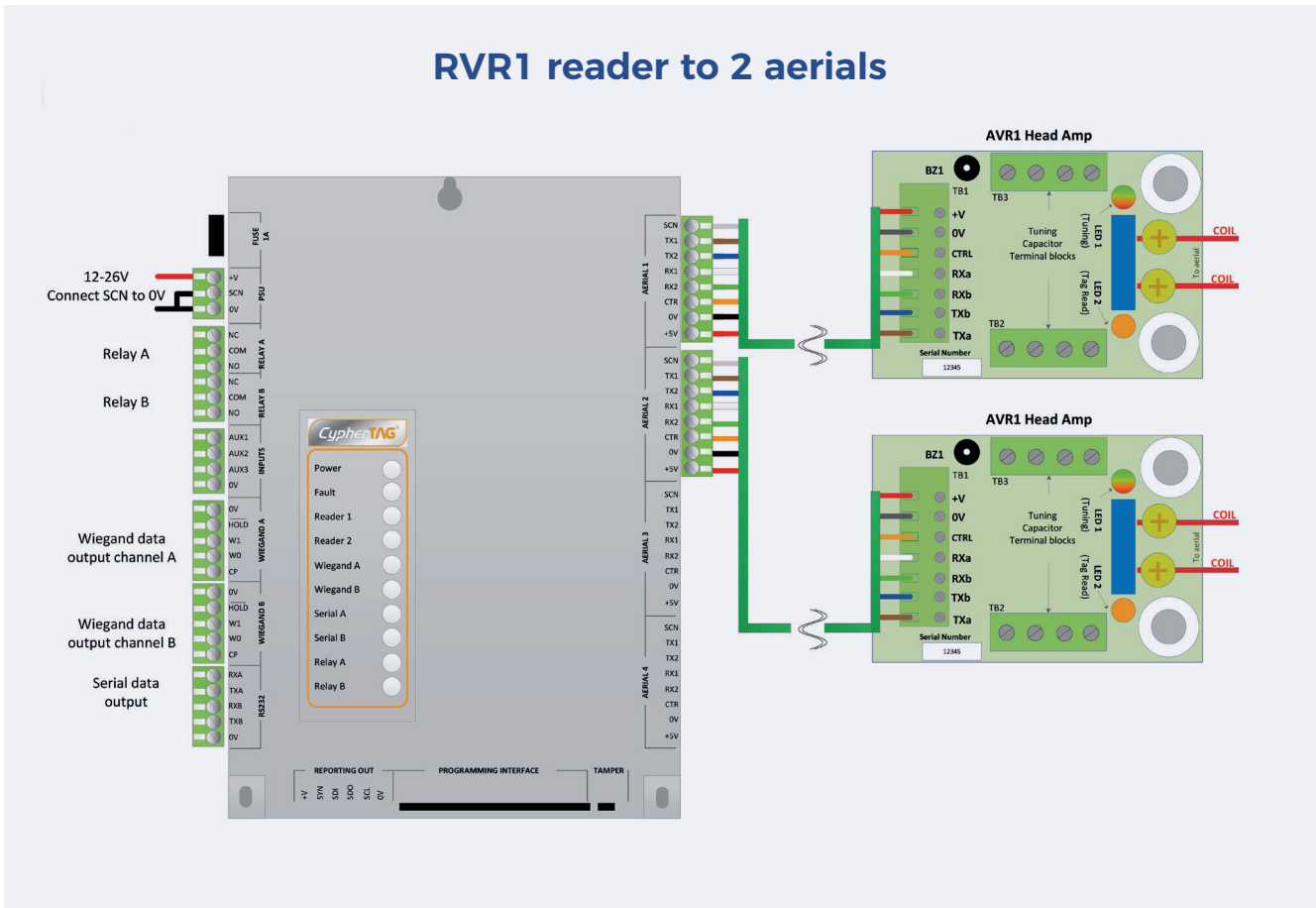
+44 (0)191 584 4084
info@identec.com

identeclimited
Web www.identec.com

With nearly 40 years of experience in touch-free radio frequency identification systems, our technology products are used around the globe, providing innovative solutions for a wide range of application and industries. Check out our full product range at www.identec.com or to discuss your bespoke requirements regarding our RFID products please [get in touch](#).

State of the art RFID controller with hands free, long range reading up to 3m on mass. Up to 20 tags a second. Direction sensing (Entry & Exit) capabilities and secure digital data exchange.

Full anti clash technology. Coexists with prox and mifare products. Able to integrate into any other access control system. Wiegand, clock & data and RS232 as standard. Battery low indication as standard.



Technical Specification

Specification	Details
Output Format	Wiegand or Clock & Data and RS232
Temperature Range	-20°C to +60°C (-4°F to 140°F)
Humidity	0 - 80% Non-condensing
Memory	Non volatile
Power Requirements	12 – 26 volts DC (700mA Max)
Maximum Loop Size	16m per Head Amp
Read Range	Determined by size of the loop antenna and tag used
Speed of Reading	Typically 20 tags per second per antenna
Reporting Modes	Customer selectable
Approvals	CE, UKCA, ETSI